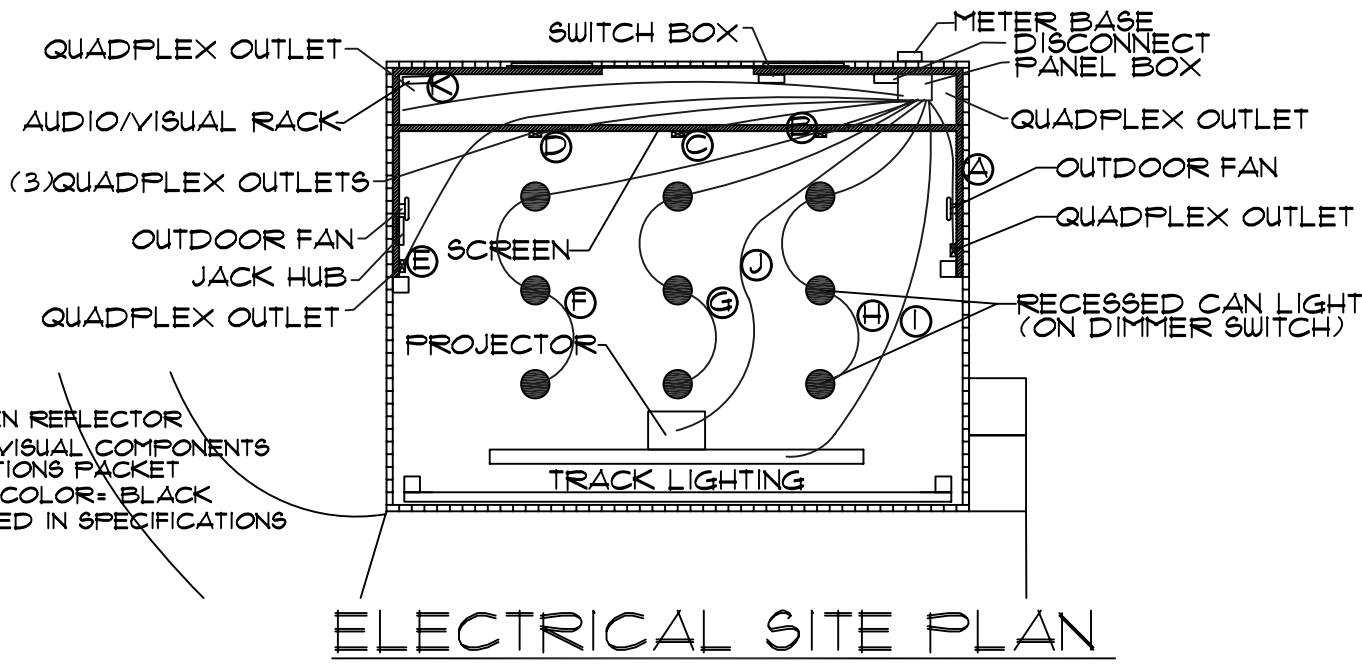
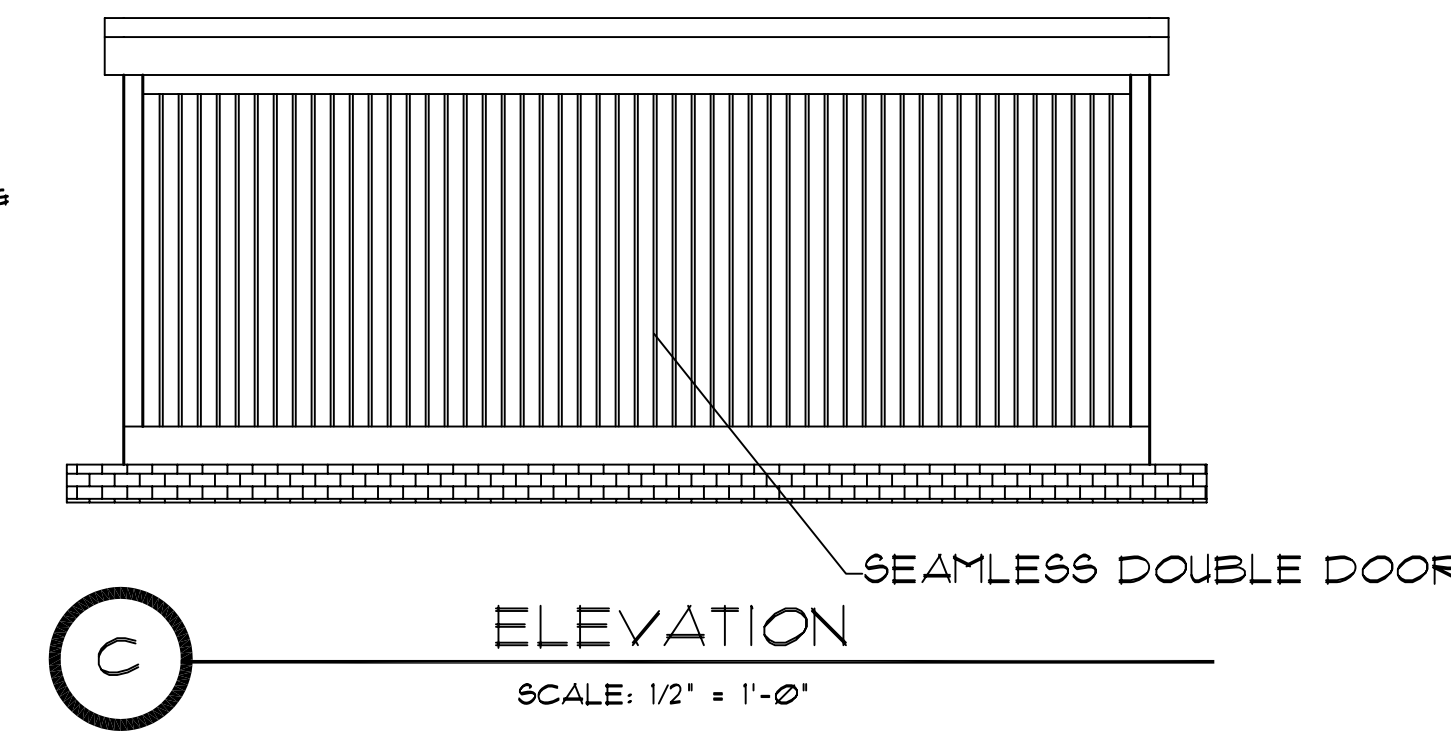
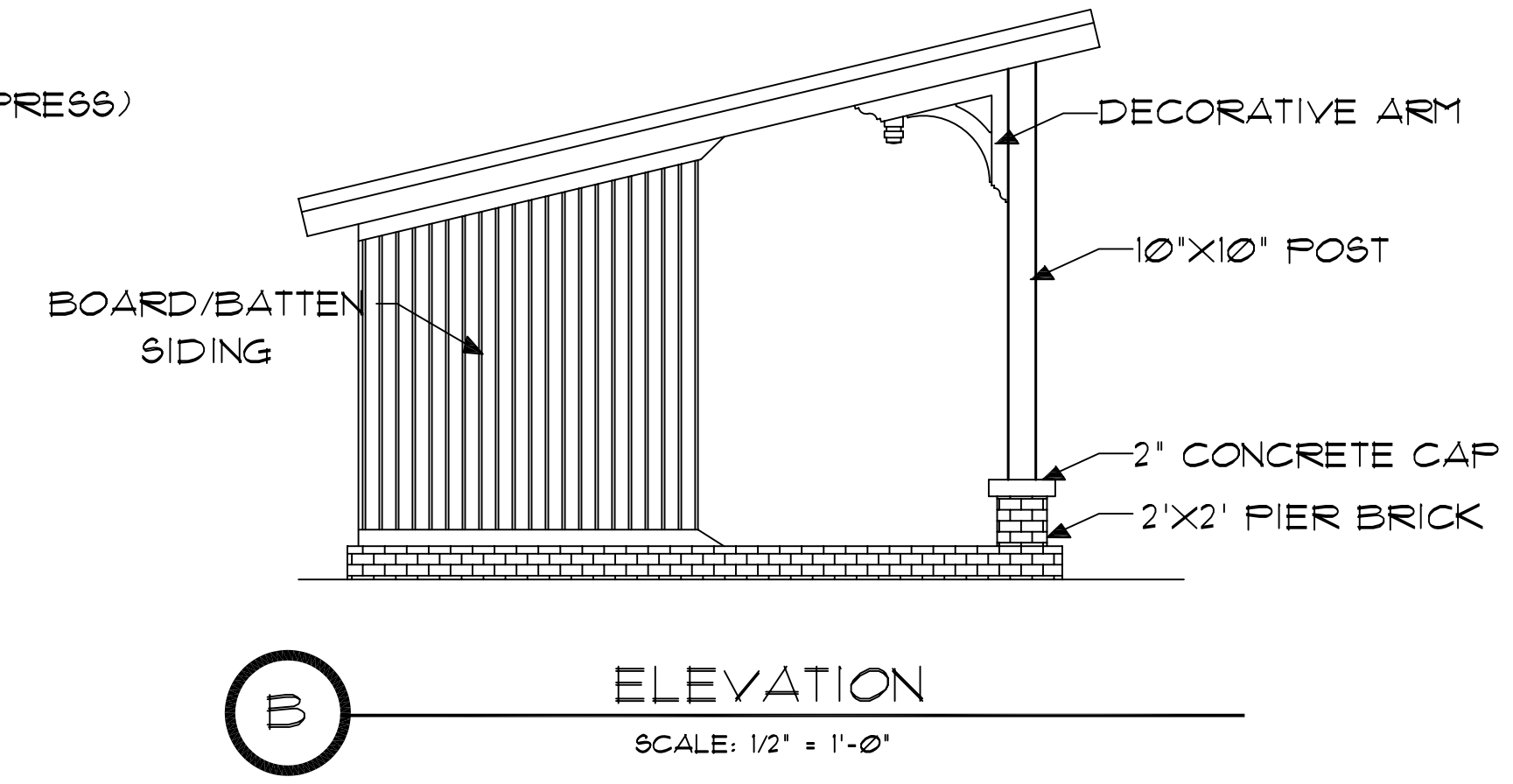
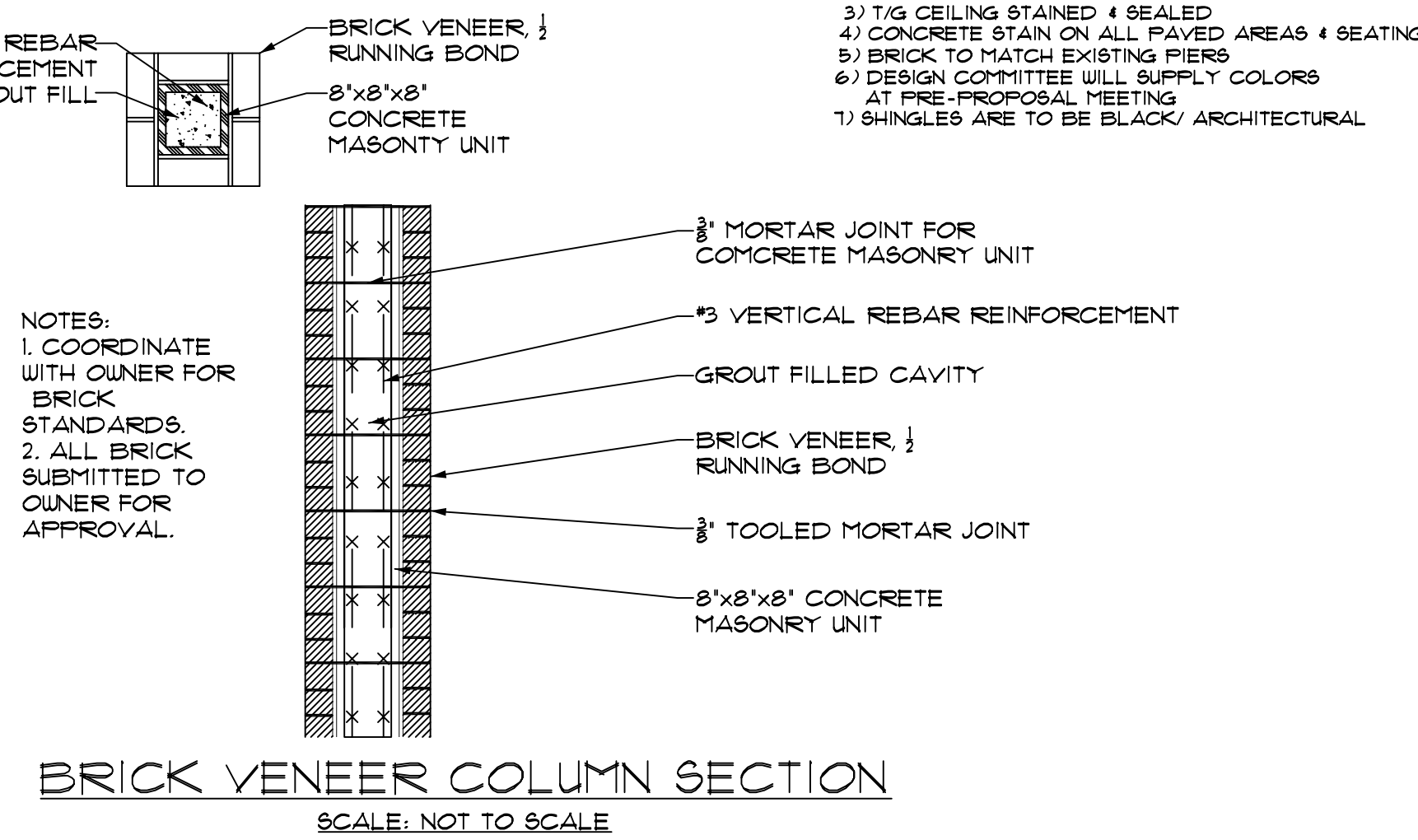
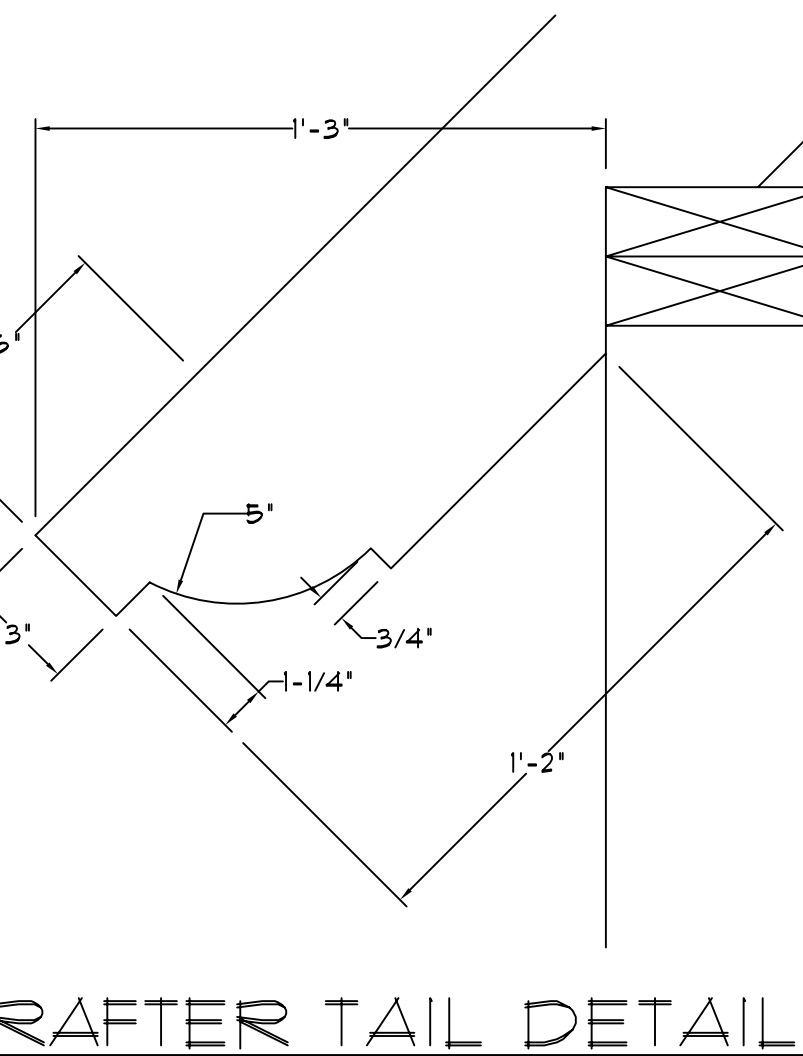
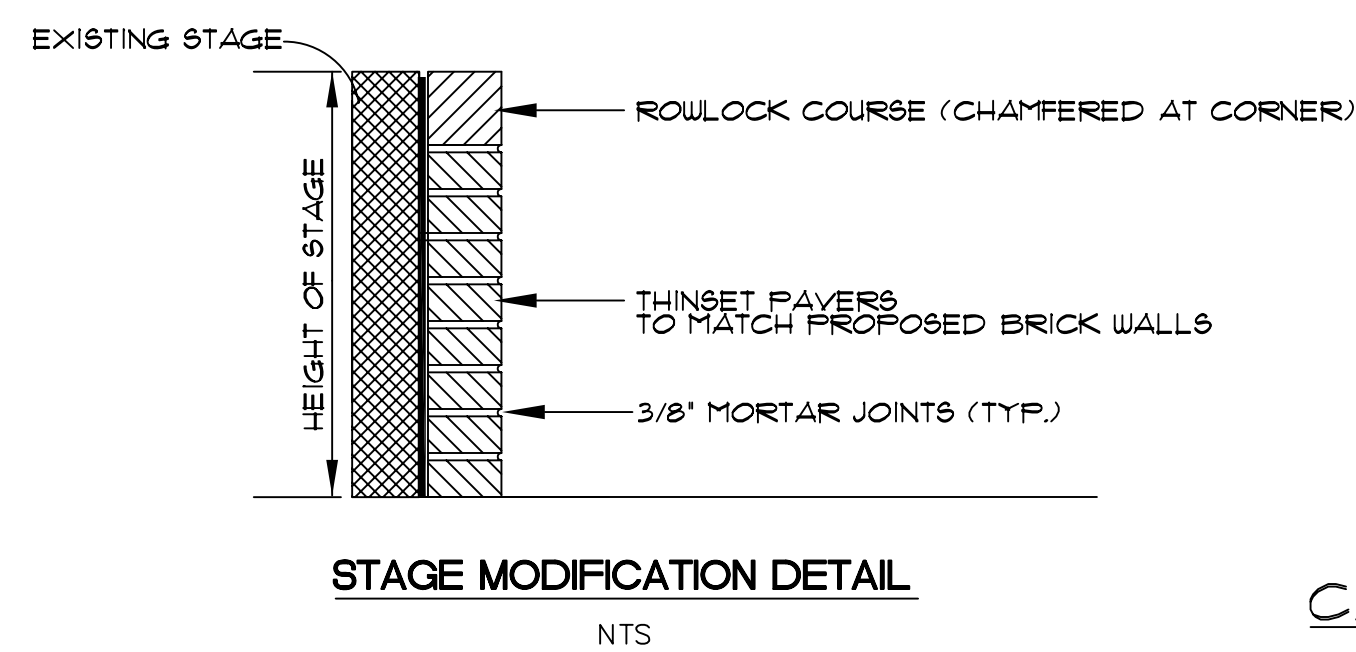


ELECTRICAL CHART

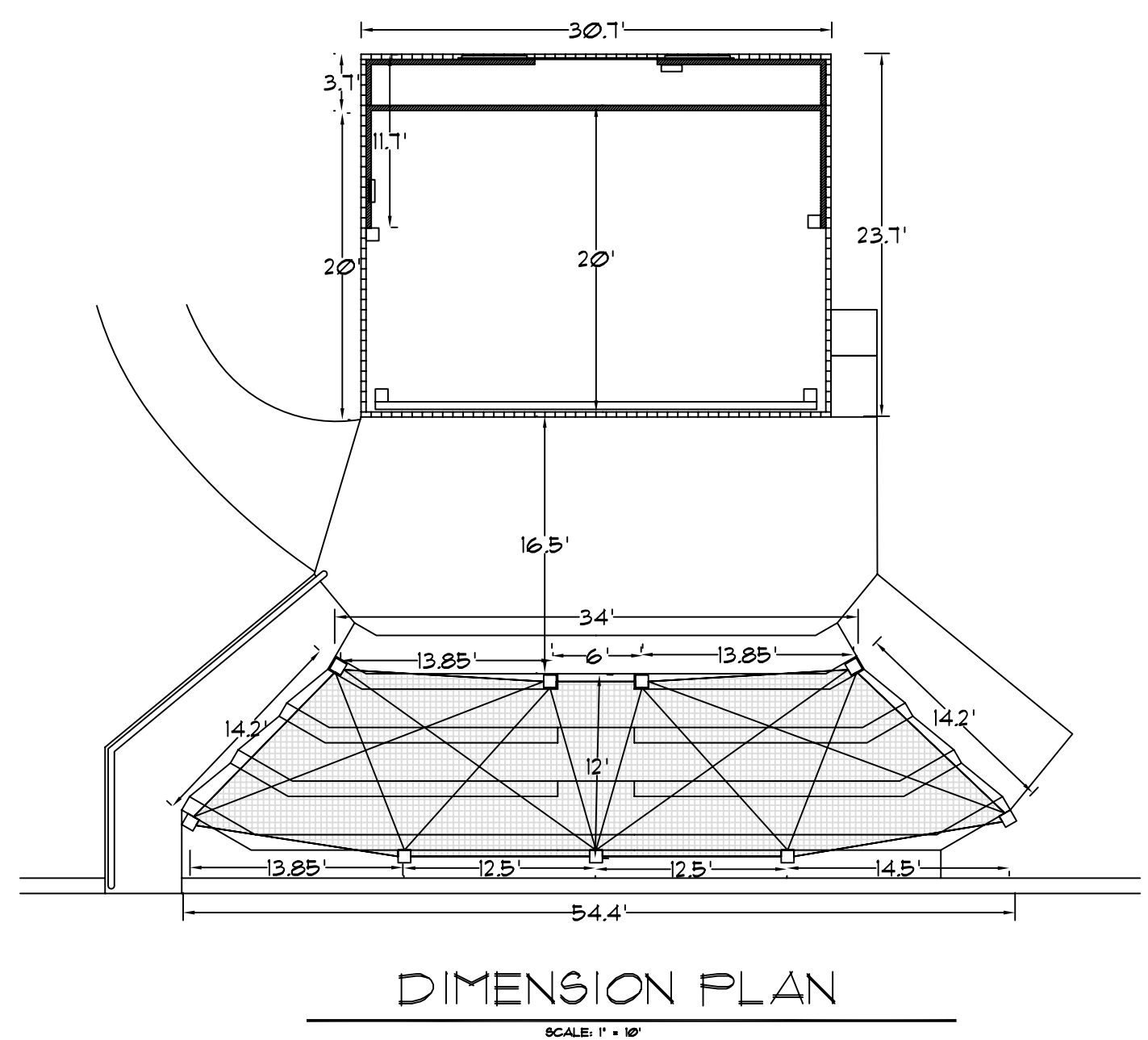
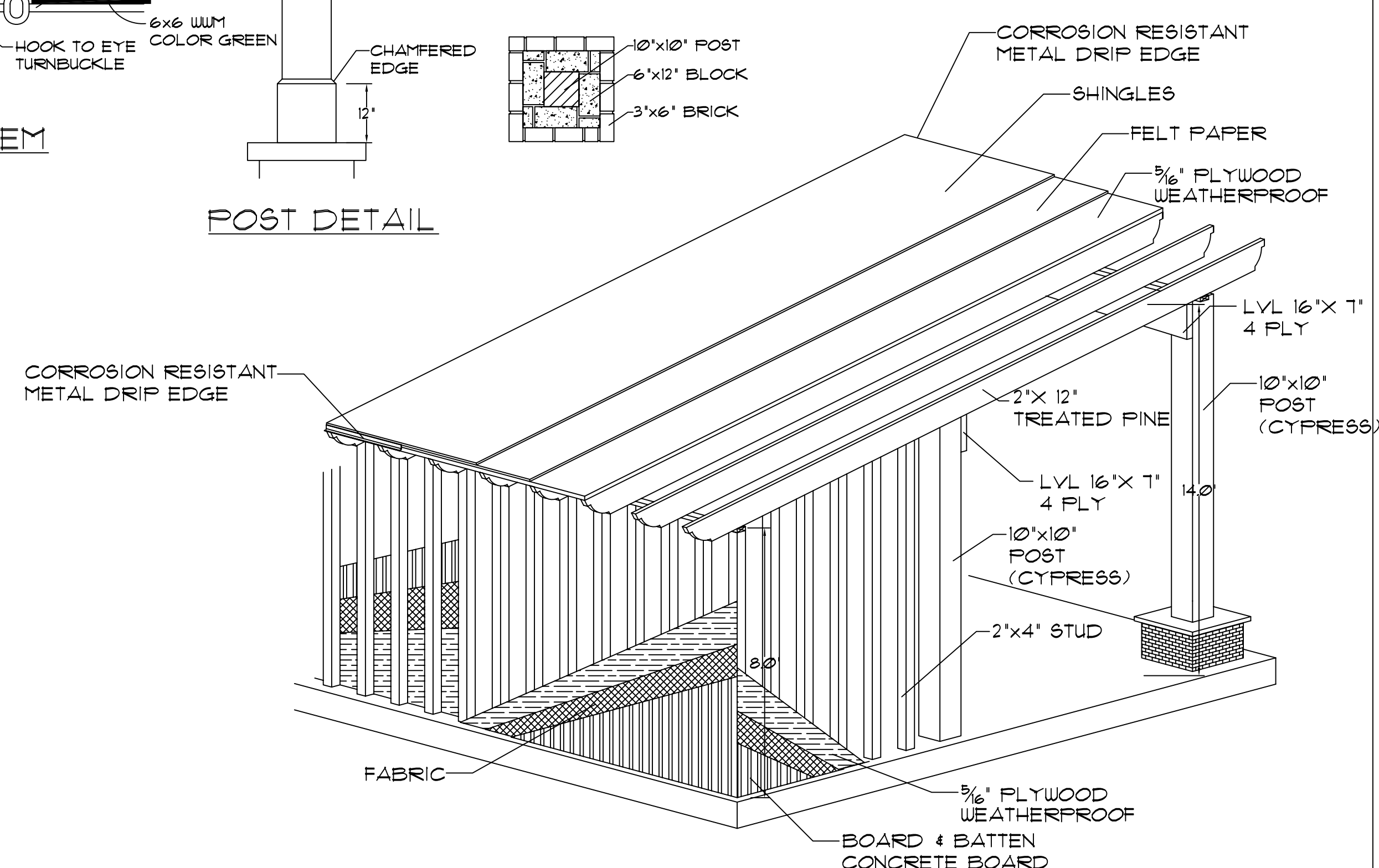
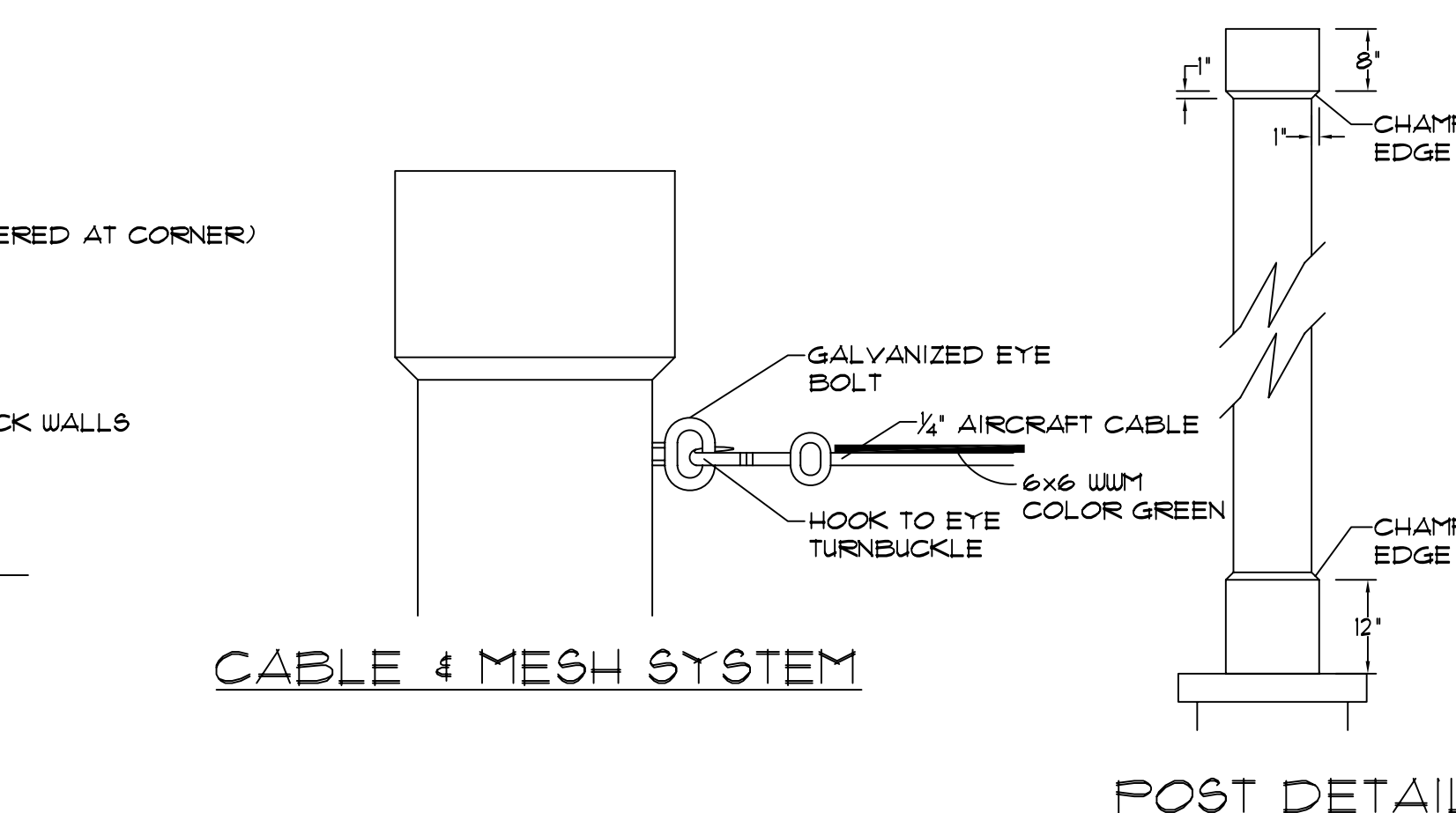
CIRCUIT	TYPE	DESCRIPTION
A-E	2F/30 AMP	QUADPLEX OUTLETS
F-H	2F/30 AMP	CAN LIGHTS
C-1	2F/30 AMP	TRACK LIGHTS
J	2F/30 AMP	PROJECTOR
K	2F/30 AMP	OUTLET STORAGE ROOM



- NOTES**
- 1) CAN LIGHTS+ 6" WITH OPEN REFLECTOR
 - 2) TRACK LIGHTING & AUDIO/VISUAL COMPONENTS ARE LISTED IN SPECIFICATIONS PACKET
 - 3) SWITCH PLATES & BOXES COLOR+ BLACK
 - 4) OUTDOOR FANS ARE LISTED IN SPECIFICATIONS PACKET

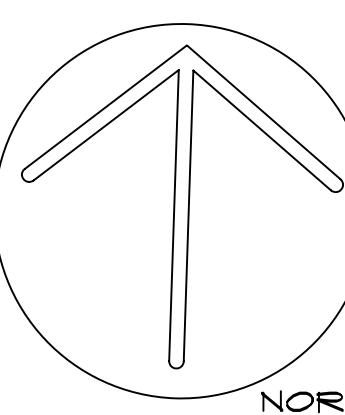
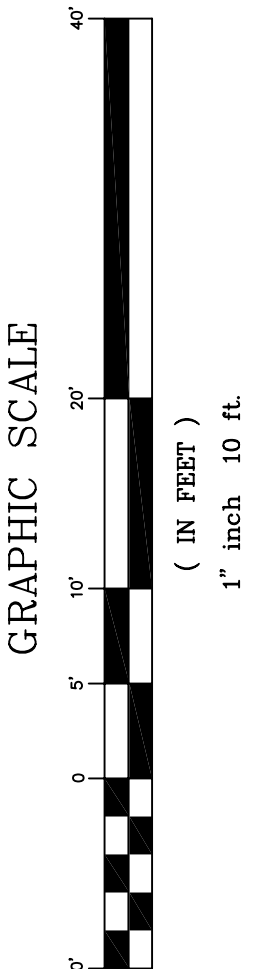


- NOTES**
- 1) CONCRETE BOARD PRIMED & PAINTED
 - 2) POST PRIMED & PAINTED
 - 3) 1/2" CEILING STAINED & SEALED
 - 4) CONCRETE STAIN ON ALL PAVED AREAS & SEATING
 - 5) BRICK TO MATCH EXISTING PIERS
 - 6) DESIGN COMMITTEE WILL SUPPLY COLORS AT PRE-PROPOSAL MEETING
 - 7) SHINGLES ARE TO BE BLACK/ ARCHITECTURAL



REVISIONS

DATE	DESCRIPTION



Rakestraw & Associates

Planning • Design • Environmental
83 TY TY OMEGA RD.
TIFTON, GA. 31793
Phone: 229.382.0009

PROJECT:
CITY OF TIFTON
VETERANS PARK

TIFTON, TIFT COUNTY, GA

SHEET TITLE:
SITE PLAN

©2011 RAKESTRAW & ASSOCIATES, INC.
PROJECT NUMBER:
DATE: 10-11-2011
SCALE: 1" = 10'

SHEET NO.:
1
of 1